



McVeigh Parker



GRIPPLE CONTRACTOR TOOL SPECIFICATION SHEET

A1518

The Contractor Tool is stronger and more robust than ever before, producing the same tension with much less effort. From the people behind the revolutionary Gripple range of wire joiners and tensioners, the new tool was developed through intensive research out in the field.

Features/ Benefits

- Strong and robust to withstand wear and tear
- Long, gear driven handles provide a 10:1 mechanical advantage
- All-metal construction, combined with soft, moulded grips for comfortable and efficient use
- Quick release cam allows for easy poisoning of the tool on the wire
- One tool works on all Gripple tensioners on up 6mm diameter wire



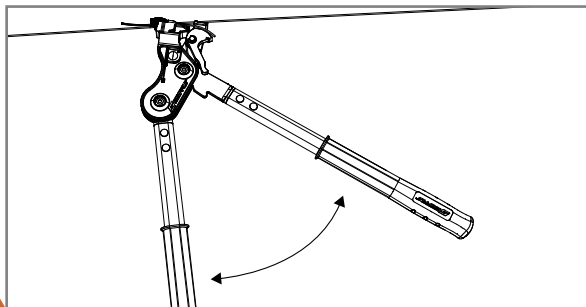
Wire Range (mm)	Size (mm)	Weight (kg)
Up to 6.00mm	590mm long x 180mm wide x 35mm	2.5kg

- All steel construction head set
- 400mm flat oval, zinc plated tubular steel handles
- Extended soft feel over moulded grips (orange)

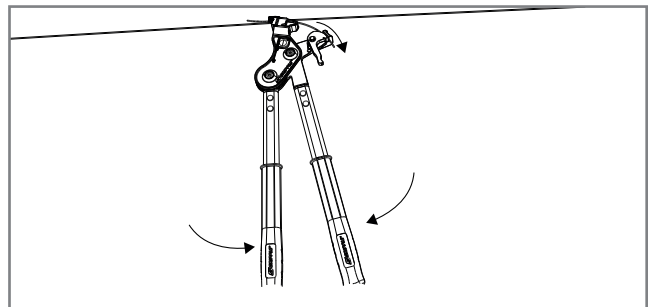
Watch video here
<https://youtu.be/Rjp9MnFzbl>

Installation

1.



2.



Tips

- Regularly lubricate cam area for smooth operation
- Replacement cam sets are available should the teeth wear

